



POWERFUL AND ECONOMICAL BATTERY CHARGING KITS



Includes everything for a simple installation: all mounting hardware and solar cables.

Digital pulse width modulated (PWM) solar controller regulates the battery charging system and prevents over-charging and damage to the battery. Simple push button operation. For 80 watt and 20 watt kits only. 5 year solar controller warranty.

High-efficiency solar panels with tempered glass to withstand hail or light debris.

GP-ECO-80 / GP-ECO-20 / GP-ECO-10

Solar starter kit comes with everything you need to install on your rooftop.

80 watt solar charging kit for weekend camping

- Includes 25' set of MC4 solar cables and 10 amp digital solar controller
- 10 amp flush-mount digital solar controller
- 25 year limited solar panel output power warranty

20 watt solar kit to trickle charge your batteries

- Include 25' of solar cables
- 10 year limited solar panel output power warranty
- 10 amp digital solar controller

10 watt solar kit to trickle charge your batteries

- 7m cable with built-in fuse
- 10 year limited solar panel output power warranty



AUTHORIZED DEALER



Solar Panel

SPECIFICATIONS	GP-ECO- 80	GP-ECO-20	GP-ECO-10
Rated Power (Pm)	80 W	20 W	10 W
Maximum Power Voltage (Vmp)	18.4 V	17.5 V	17.5 V
Maximum Power Current (Imp)	4.35 A	1.14 A	0.57 A
Open Circuit Voltage (Voc)	22.8 V	21.6 V	21 V
Short Circuit Current (Isc)	4.60 A	1.21 A	0.62 A
Cell type	Monocrystalline	Monocrystalline	Monocrystalline
Max System Voltage	1000 VDC	600 VDC	600 VDC
Weight	13.2 lb (6 kg)	3.97 lb (1.8 kg)	1.7 lb (0.8 kg)
Dimensions	30.71 x 26.46 x 1.38 in (780 x 672 x 35 mm)	13.58 x 18.50 x 0.98 in (345 x 470 x 25 mm)	13.19 x 9.25 x 0.98 in (335 x 235 x 25 mm)
Frame type / material	Clear anodized aluminium frame		
Warranty (Limited Power Output)*	25 year	10 year	10 year

*see website for full warranty details

Digital Solar Controller

SPECIFICATIONS	GP-PWM-10
Nominal System Voltage	12V
Max Solar Array Current	10A
Battery Voltage Range	9V – 15.5V
Max. Solar panel input voltage	28V
Operating Consumption	6mA
Display Consumption	10mA
Temp. Compensation	-13mV/°F (- 24mV/°C)
Operating Temperature	- 40 to 185° F (- 40 to 85°C)
Humidity	99% N.C.
Dimensions (H x W x D):	3.94 x 4.02 x 1.14 in (100 x 102 x 29 mm)
Weight	6.3 oz (178 grams)
Maximum Wire Gauge:	#4 AWG
Warranty	1 year
Protection	Battery Reverse Polarity, Solar Array Reverse Polarity, Over temperature, Over Current

OPTIONAL CABLE ENTRY PLATE

(For 80 Watt Only)

Use our Cable Entry Plate with a Go Power! Solar Kit to run your wire where you want and reduce exposed cables on the roof.

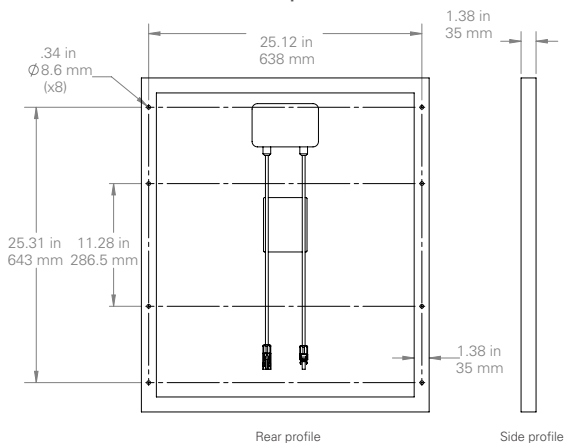
- Built for easy expansion
- ➔ Cuts installation time
- ➔ Protects cable connections
- ➔ Clean and tidy wire configuration
- ➔ Eliminates possibility of leaks
- ➔ Connects with industry standard MC4 cables (included in Go Power! kits)
- ➔ 5 year warranty



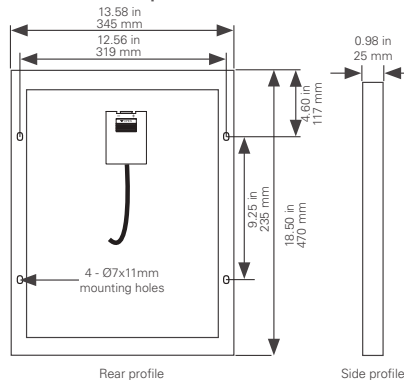
GP-CEP



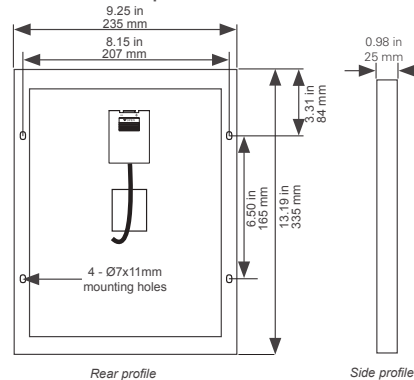
80 watt panel



20 watt panel



10 watt panel



Specifications may be subject to change.